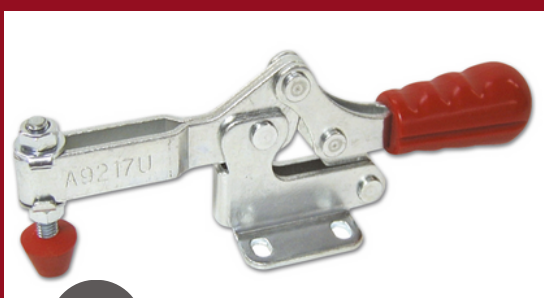


QUICK HORIZONTAL TOGGLE CLAMPS



Vin Vinyl COD. 56050



NEO COD. 56051
COD. 56052
COD. 56053
COD. 56054

PACKING AND LABELLING

EAN- 13 code

56050: 8422473560508

56051: 8422473560515

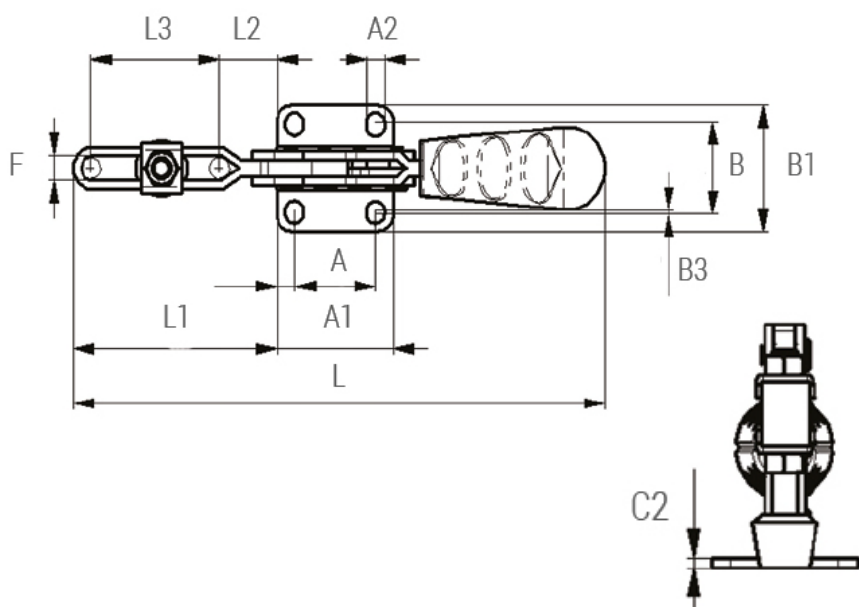
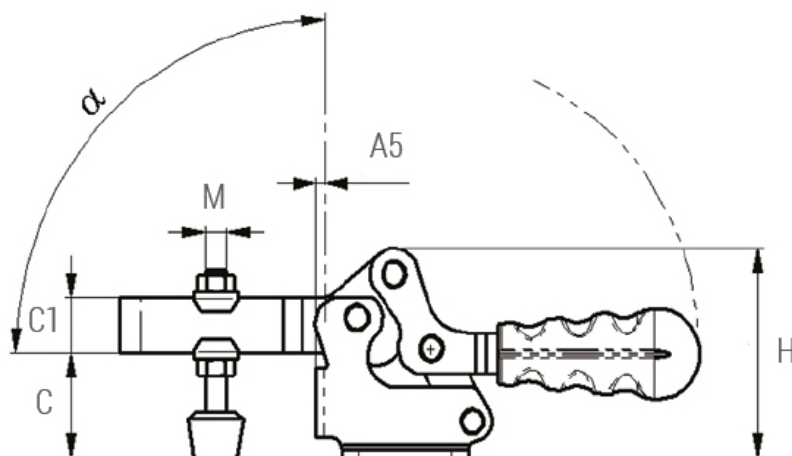
56052: 8422473560522

56053: 8422473560539

56054: 8422473560546

☐	COD	MOD	Kg	FUERZA MÁXIMA MAXIMUM PRESSURE
1	56050	M4(205U)	0,03	38Kg
	56051	M5	0,07	70Kg
	56052	M6	0,23	90Kg
	56053	M8	0,43	220Kg
	56054	M10	0,91	340Kg

1 piece/plastic bag



APPLICABLE RULE

The articles are vigorously tested in our quality control department to ensure maximum product guarantee by carrying out all necessary tests

There is no applicable security rule

Industrias Piqueras works following quality standards ISO 9001 and ISO 14001

COD	A mm	A1 mm	A2 mm	A3 mm	B mm	B1 mm	B3 mm	C mm	C1 mm	C2 mm	F mm	H mm	L mm	L1 mm	L2 mm	L3 mm	M	α
56050	11,1	24	6,8	4	16	23,8	4,4	7,4	6,8	1,6	4,8	17	68	21	6,5	9,5	M4	87°
56051	13,5	25	5,2	5,7	17	27	-	19	9,5	2	5,8	38,2	105	36,8	12	20	M5	94°
56052	26	38	5,5	6	28	40	3	25	14	2,5	6,2	52,6	162	61,4	19	36,5	M6	96°
56053	26	42	6,6	8	31	47	2,5	34	17,5	3	9	68,5	189	66,3	22	36,8	M8	95°
56054	41,2	59	8,7	9	43	59	1,8	45	23,8	4	11,4	90	269	103	28,5	64,8	M10	95°